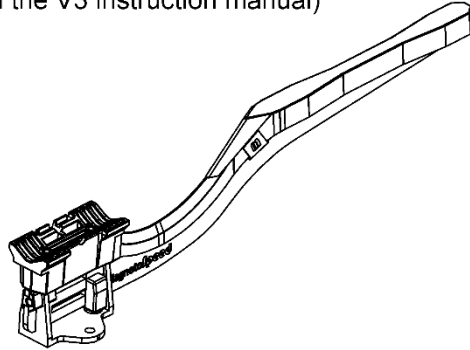


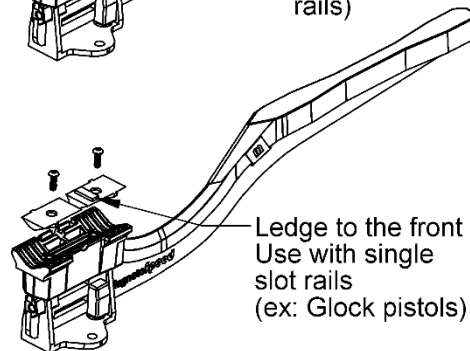
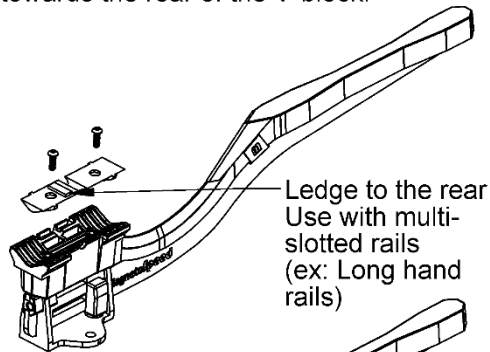


V3 Rail Adapter Instructions

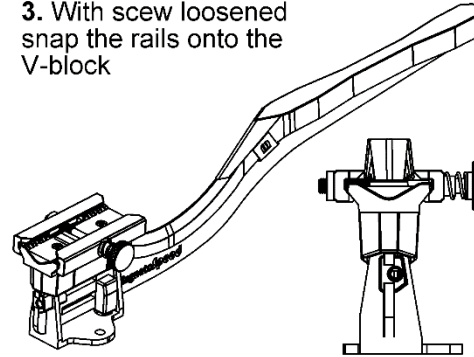
1. Remove Strap Hardware
(Instructions for strap routing are included in the V3 instruction manual)



2. Insert plastic V-block adapter and screws. Note the raised ledge can go to the front or rear of the V-block. For Glock and most rails with a single groove the ledge will need to be positioned forward in the V-block. For full rails with multiple slots the ledge works best towards the rear of the V-block.

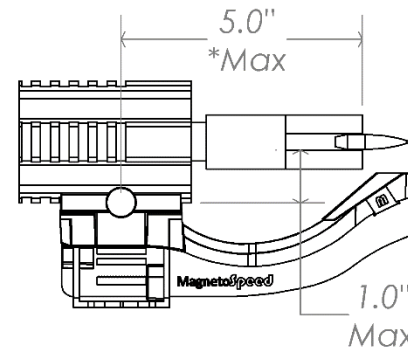


3. With scw loosened snap the rails onto the V-block



4. Snap adapter onto rail and tighten thumbscrew until unit is tight. Check alignment for bullet clearance. Then plug in the data cable.

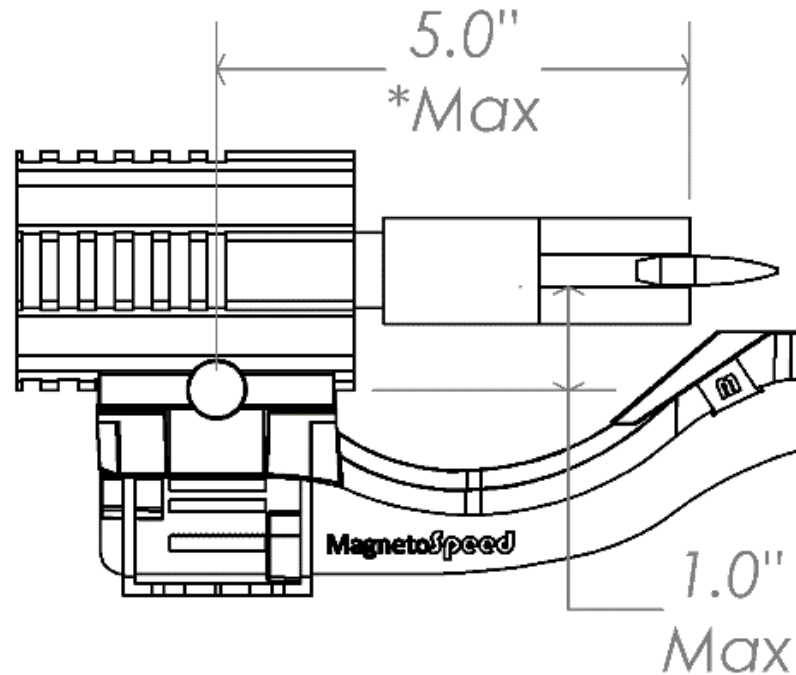
General maximum dimensions are given below and apply to handguns as well. With increased distance between sensor and bullet it may become necessary to increase the sensitivity of the display unit.



* From the front of the muzzle to the center of first available rail slot

Magnetospeed LLC
9206 Rod Rd. STE. C
Austin, TX 78736
(512) 284-8161

General maximum dimensions are given below and apply to handguns as well. With increased distance between sensor and bullet it may become necessary to increase the sensitivity of the display unit.



* From the front of the muzzle to the center of first available rail slot